
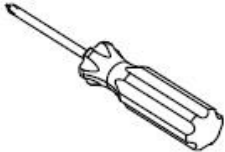



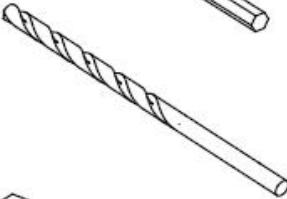

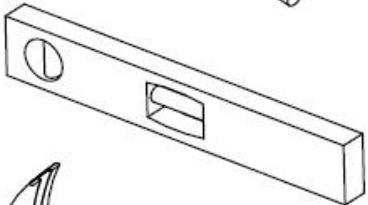

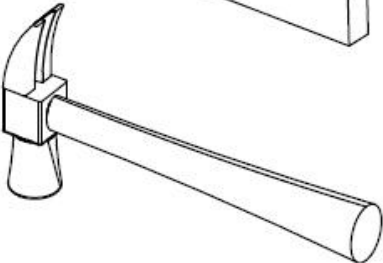

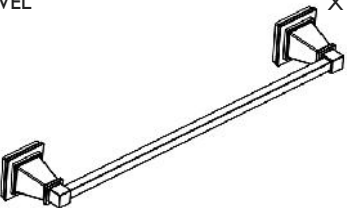


ITEMS INCLUDED			TOOLS REQUIRED		
DRY WALL ANCHOR		X 4	PHILLIPS SCREW DRIVER		
TILE ANCHOR		X 4	PEN / PENCIL		
#8 SCREW		X 4	1/4" (6 mm) DRILL		
MOUNTING BRACKET		X 2	LEVEL SET		
M6 X 1 SET SCREW		X 2	HAMMER		
3MM ALLOY STEEL HEX KEY		X 1			
TOWEL BAR		X 1			

## INSTALLATION INSTRUCTIONS

43-01, 43-02

TOWEL BAR

**NEWPORT BRASS**  
 Flawless Beauty. From Faucet to Finish.™

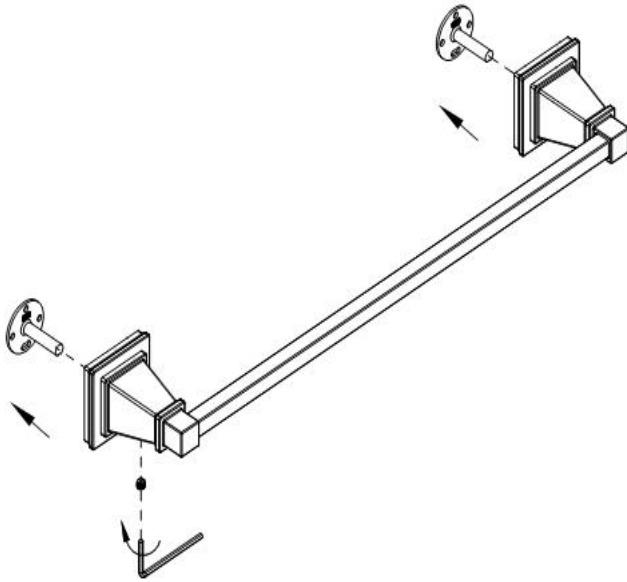
2001 CARNEGIE AVE, SANTA ANA CA 92705

(949) 417-5207

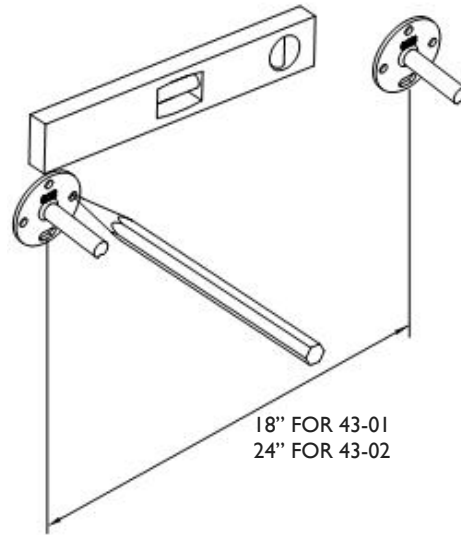
(949) 417-5207

WWW.NEWPORTBRASS.COM

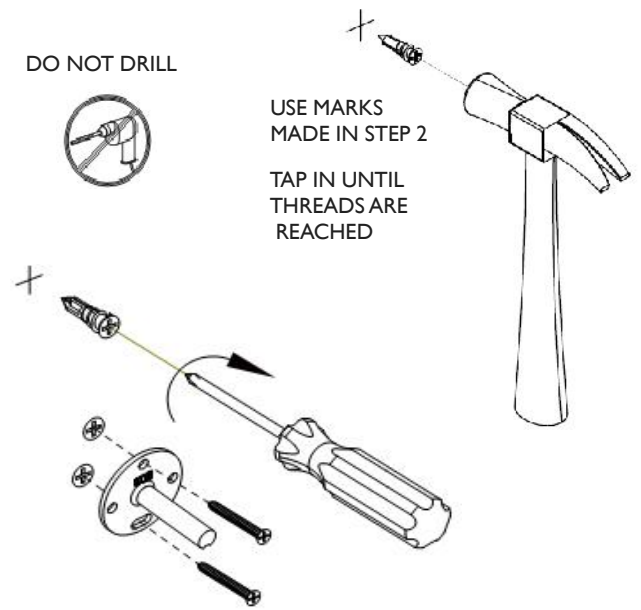
① REMOVE MOUNTING BRACKETS



② ALIGN MOUNTING BRACKETS AND MARK LOCATION



③ DRY WALL INSTALLATION

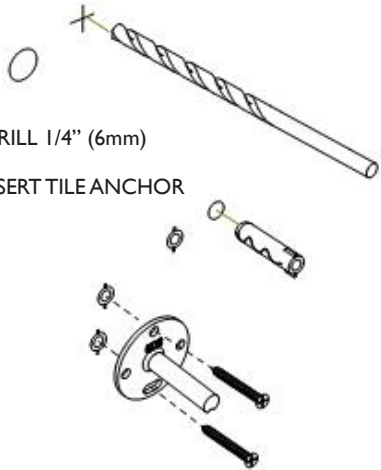


④ TILE OR SOLID WALL INSTALLATION

USE MARKS MADE IN STEP 2

DRILL 1/4" (6mm)

INSERT TILE ANCHOR



⑤ INSTALL PRODUCT ONTO BRACKETS

